

Learn to Knit on Long Looms: A Comprehensive Guide to Mastering the Art of Fabric Creation

Embark on a captivating journey into the world of long loom knitting, where creativity and craftsmanship intertwine to create stunning fabrics. As you venture into this realm of textile artistry, this ultimate guide will serve as your compass, guiding you through the techniques, benefits, and endless possibilities that await. Let us delve into the captivating world of long loom knitting and unravel its secrets together.



Learn to Knit on Long Looms by Anne Bipes

★★★★☆ 4.4 out of 5

Language : English

File size : 14618 KB

Text-to-Speech : Enabled

Screen Reader : Supported

Enhanced typesetting : Enabled

Print length : 134 pages

Lending : Enabled

FREE

DOWNLOAD E-BOOK



Chapter 1: Understanding Long Loom Knitting - A Beginner's Guide

1.1 Embracing the Basics: What is Long Loom Knitting?

Long loom knitting, an ancient technique that has captivated artisans for centuries, involves using a long, rectangular loom to create a wide range of fabrics. Unlike traditional knitting needles, long looms offer a unique canvas

for your creativity, allowing you to craft fabrics of varying widths and lengths.

1.2 Types of Long Looms: Exploring Your Options

Navigating the world of long looms, you will encounter an array of options, each offering distinct features and advantages. Whether you prefer the portability of a lap loom, the versatility of a rigid heddle loom, or the precision of a computerized loom, there is a loom that perfectly aligns with your knitting aspirations.

1.3 The Allure of Long Loom Knitting: Unveiling Its Benefits

Embracing long loom knitting invites a wealth of benefits into your creative life. Experience the joy of crafting fabrics with remarkable speed and efficiency, transforming skeins of yarn into enchanting textiles before your very eyes. Moreover, long loom knitting empowers you to create fabrics of exceptional width, opening up a world of possibilities for home décor, garments, and accessories.

Chapter 2: Mastering Long Loom Techniques - A Journey of Skill and Precision

2.1 Casting On: Embarking on Your Long Loom Adventure

As you embark on your long loom knitting journey, casting on marks the **أغاز**inning of your fabric's creation. Discover the techniques for casting on with both a knitting needle and a crochet hook, ensuring a secure and even foundation for your masterpiece.

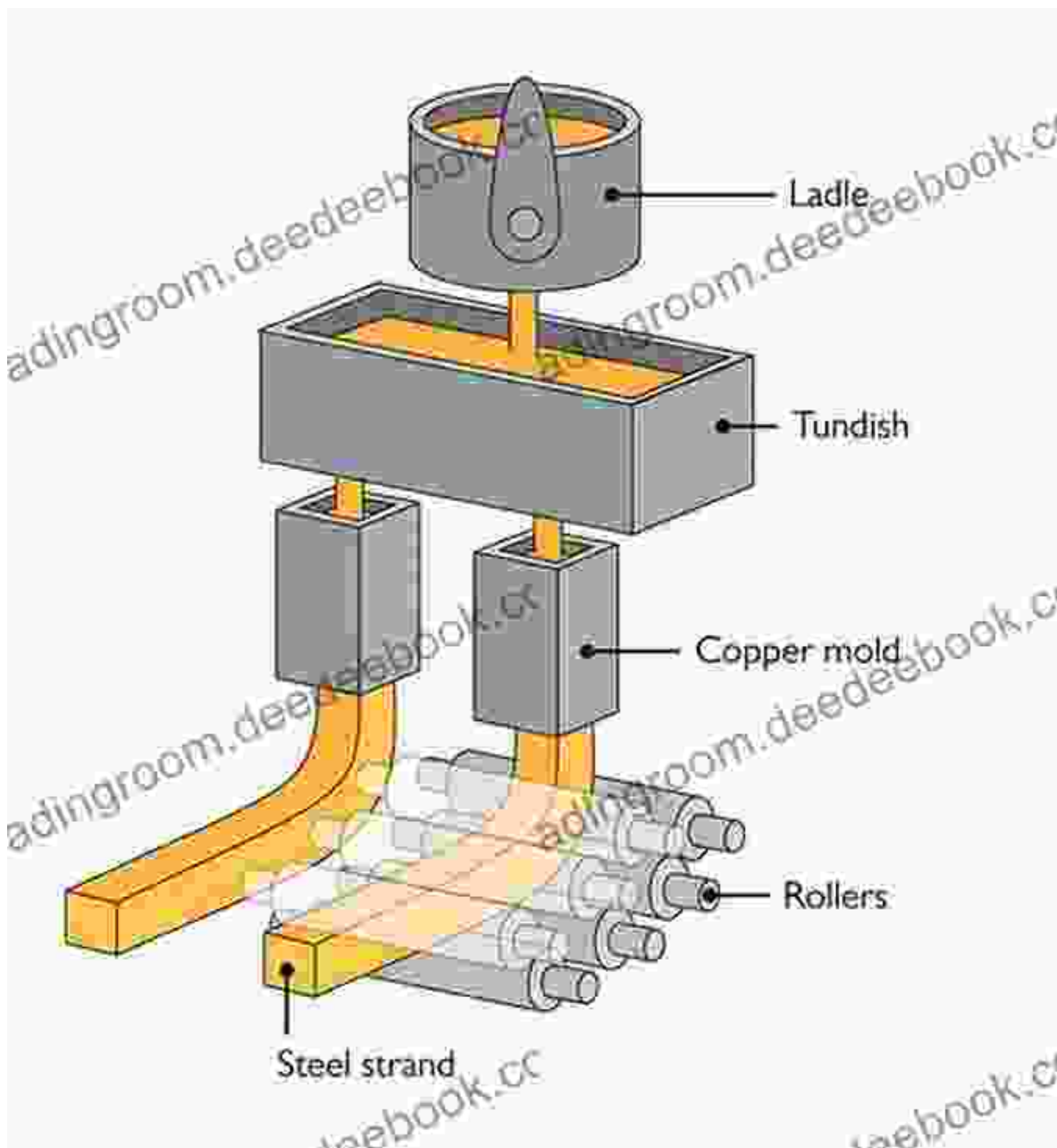


Diagram Illustrating the Casting On Process on a Long Loom

2.2 The Rhythm of Knitting: Basic Stitches Unveiled

With your loom prepared, it's time to delve into the rhythmic dance of knitting. Master the fundamental stitches - knit, purl, and rib - and witness the transformation of yarn into an intricate tapestry. These stitches serve as

the building blocks of your fabric, empowering you to create a diverse range of textures and patterns.



Diagram Demonstrating the Knit and Purl Stitches on a Long Loom

2.3 Finishing Touches: Binding Off and Embellishments

As your fabric reaches its completion, it's time to secure your creation with a variety of binding off techniques. Whether you opt for a simple bind off or explore more decorative methods, these techniques will give your fabric a polished and professional finish. Additionally, unleash your creativity by incorporating embellishments such as tassels, fringes, or beads, adding a touch of personal flair to your masterpiece.

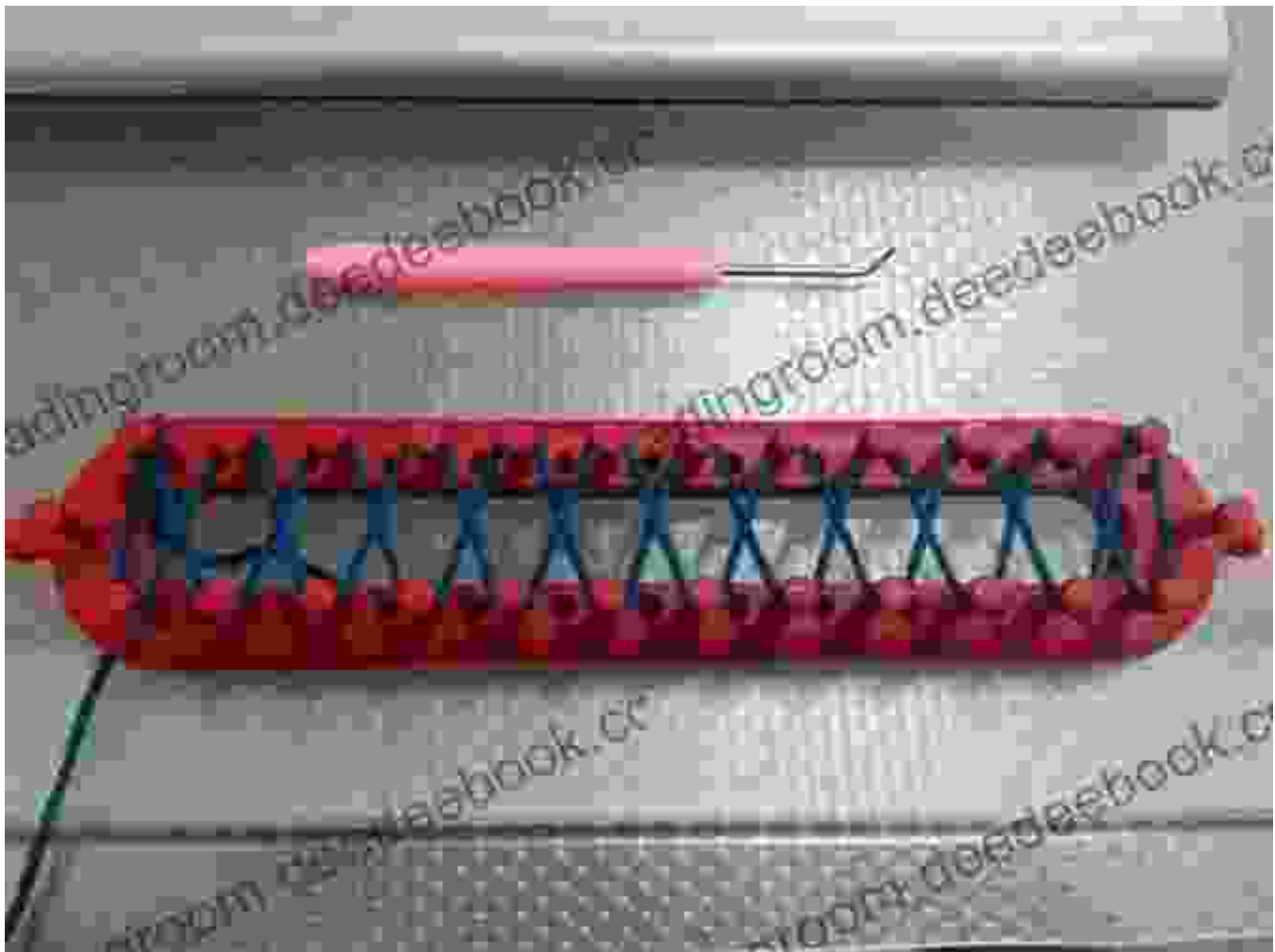


Diagram Showcasing Different Binding Off Techniques for Long Loom Knitting

Chapter 3: Creative Horizons - Exploring Long Loom Projects and Patterns

3.1 Tapestry of Possibilities: Unveiling Long Loom Projects

With your newfound skills, embark on a creative odyssey, transforming yarn into an array of captivating projects. Create cozy blankets that envelop you in warmth, stylish scarves that elevate your wardrobe, and elegant table runners that adorn your dining space. The possibilities are endless, limited only by your imagination.

3.2 Pattern Paradise: Discovering a World of Inspiration

Immerse yourself in a world of patterns, where endless inspiration awaits. From classic motifs to contemporary designs, explore a vast collection of patterns tailored specifically for long loom knitting. These patterns will guide you through each step of the creation process, empowering you to bring your knitting dreams to life.



Collection of Long Loom Knit Patterns Featuring Various Designs and Textures

Chapter 4: Advanced Techniques for Long Loom Maestros

4.1 Intarsia Magic: Painting with Yarn on Your Loom

As your skills continue to evolve, venture into the realm of intarsia, a technique that allows you to create multi-colored designs on your long loom. By carefully manipulating different colored yarns, you can weave intricate patterns and motifs, transforming your fabric into a vibrant work of art.



Example of Intarsia Knitting on a Long Loom, Showcasing a Colorful Geometric Design

4.2 Double Knitting: Creating Reversible Masterpieces

Discover the art of double knitting, where two layers of fabric are simultaneously created on your long loom. This technique unveils

reversible fabrics with contrasting patterns on each side, adding an extra dimension of creativity to your knitting projects.



Demonstration of Double Knitting on a Long Loom, Resulting in a Striped Reversible Fabric

Chapter 5: Long Loom Yarns - The Foundation of Fabric

5.1 A Symphony of Fibers: Choosing the Right Yarn

The choice of yarn plays a pivotal role in determining the character of your long loom fabric. Explore a diverse range of fibers, from the soft embrace of merino wool to the rustic charm of linen. Each fiber possesses unique qualities, influencing the texture, drape, and durability of your fabric.

5.2 Weighty Matters: Understanding Yarn Weights

Yarn weight, measured in plies, significantly impacts the thickness and appearance of your fabric. From the delicate touch of lace weight yarn to the substantial presence of bulky weight yarn, understanding yarn weights will empower you to select the perfect yarn for your desired outcome.



Chart Displaying the Different Yarn Weights and Their Corresponding Ply and Thickness

As you conclude your journey into the captivating realm of long loom knitting, may you feel empowered to embrace the endless possibilities that await. This comprehensive guide has equipped you with the knowledge and inspiration to embark on your own creative knitting adventures. Let your imagination soar as you weave enchanting fabrics, transforming skeins of yarn into masterpieces that adorn your home, wardrobe, and life. Continue to explore, experiment, and share your passion with others, spreading the joy of long loom knitting far and wide.

Remember, the true essence of long loom knitting lies not only in mastering techniques but also in the personal expression it allows. Embrace the imperfections and irregularities that make your creations unique. Each stitch you knit carries a piece of your creativity, infusing your fabrics with a touch of magic. May you forever find solace and inspiration in the rhythmic dance of long loom knitting.



Learn to Knit on Long Looms by Anne Bipes

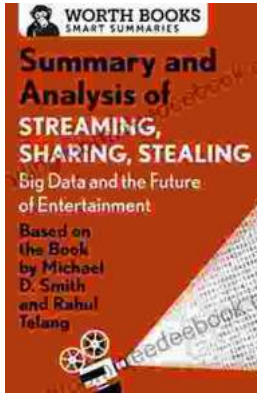
★★★★☆ 4.4 out of 5

Language : English
File size : 14618 KB
Text-to-Speech : Enabled
Screen Reader : Supported
Enhanced typesetting : Enabled
Print length : 134 pages
Lending : Enabled

FREE

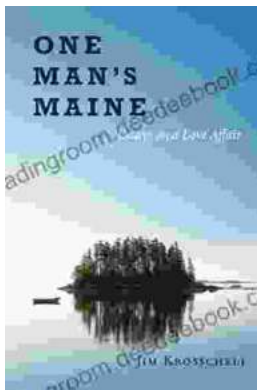
DOWNLOAD E-BOOK





Big Data and the Future of Entertainment: A Comprehensive Exploration

The entertainment industry is undergoing a profound transformation driven by the explosive growth of big data. With vast amounts of data available on...



Essays on Love Affair: Unveiling the Alchemy of Human Connection

Love, an emotion as ancient as time itself, has inspired countless works of art, literature, and music throughout history. Its captivating and elusive nature...